

1

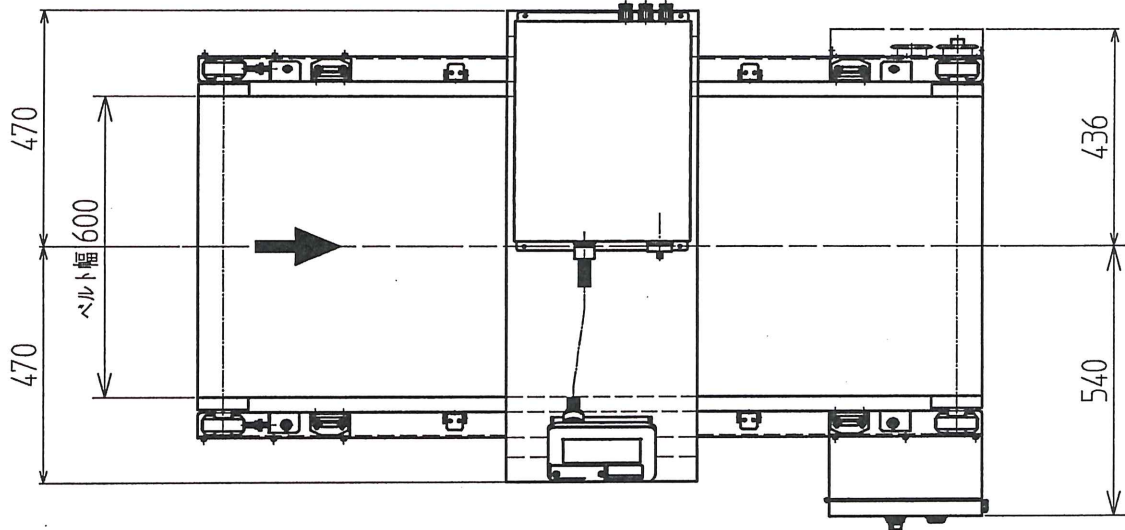
2

3

4

NO.	NOTES/REVISION	DATE	CHECKED
△A	寸法変更	2015.07.14	HAT
△B	型式変更	16.11.10	近藤

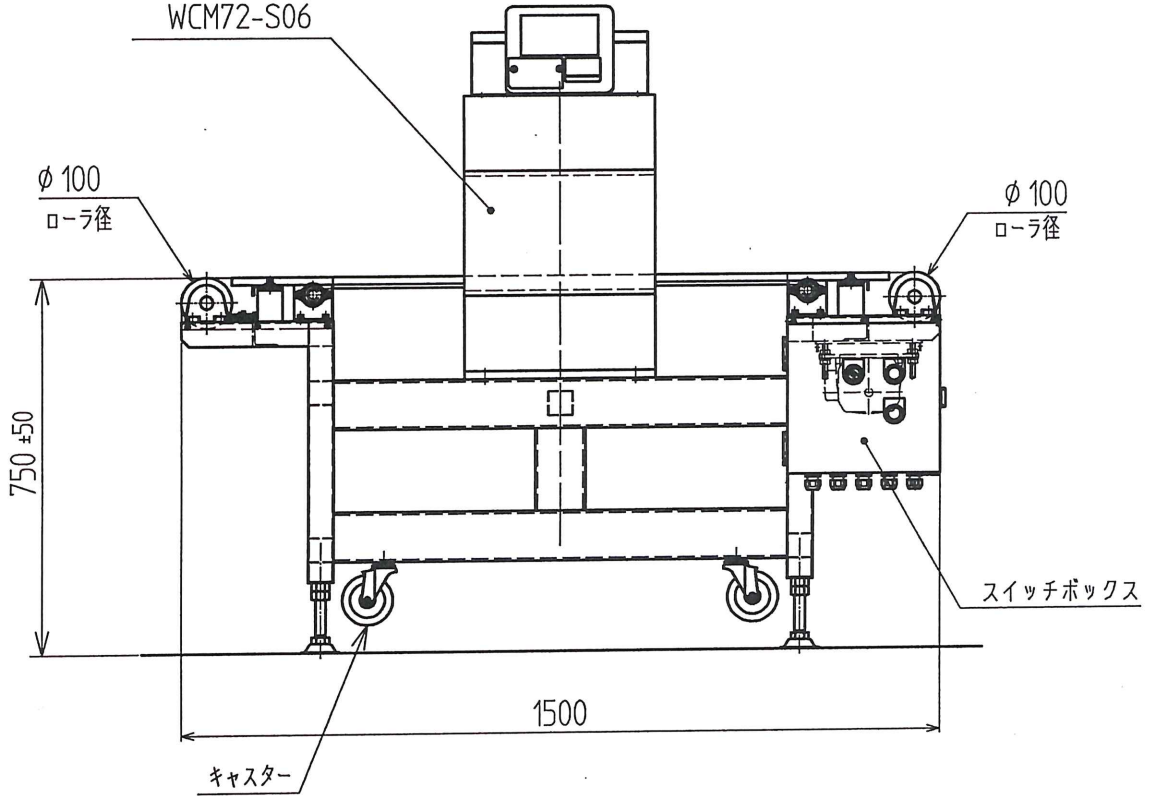
A



B

C

金属検出機
WCM72-S06



D

E

APPROVED	CHECKED	DESIGNED	DRAWN	OWNER / CODE NO.
		畑中		

TITLE
WCM72-S06
金属検出機 外観図

NOTES/REVISION	SCALE 1/15	DATE 2015.07.07
----------------	------------	-----------------

DWG.NO.	Ref.NO.

A&D Company, Limited

1-EC2716-4B