

1

2

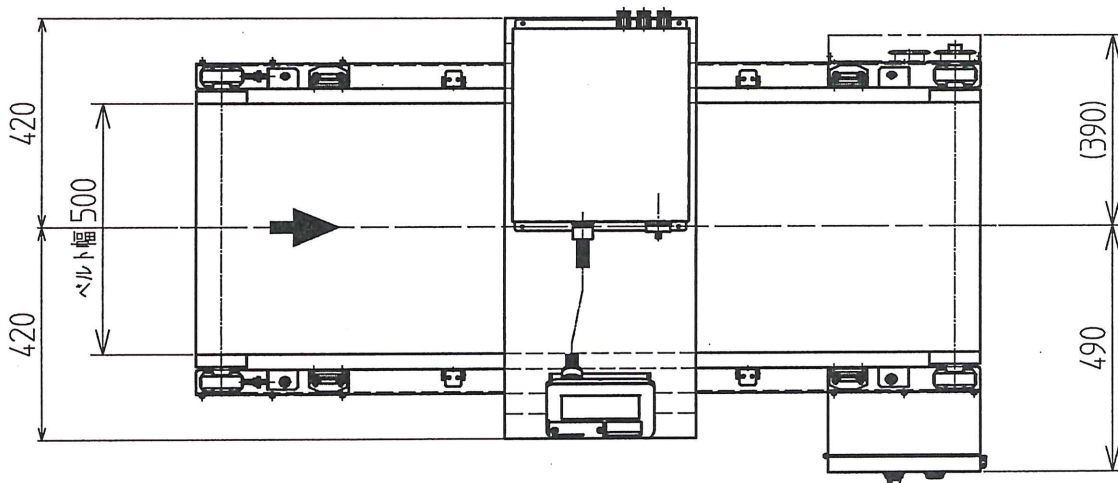
3

4

NO.	NOTES/REVISION	DATE	CHECKED
△	型式変更	16.11.10	近藤

A

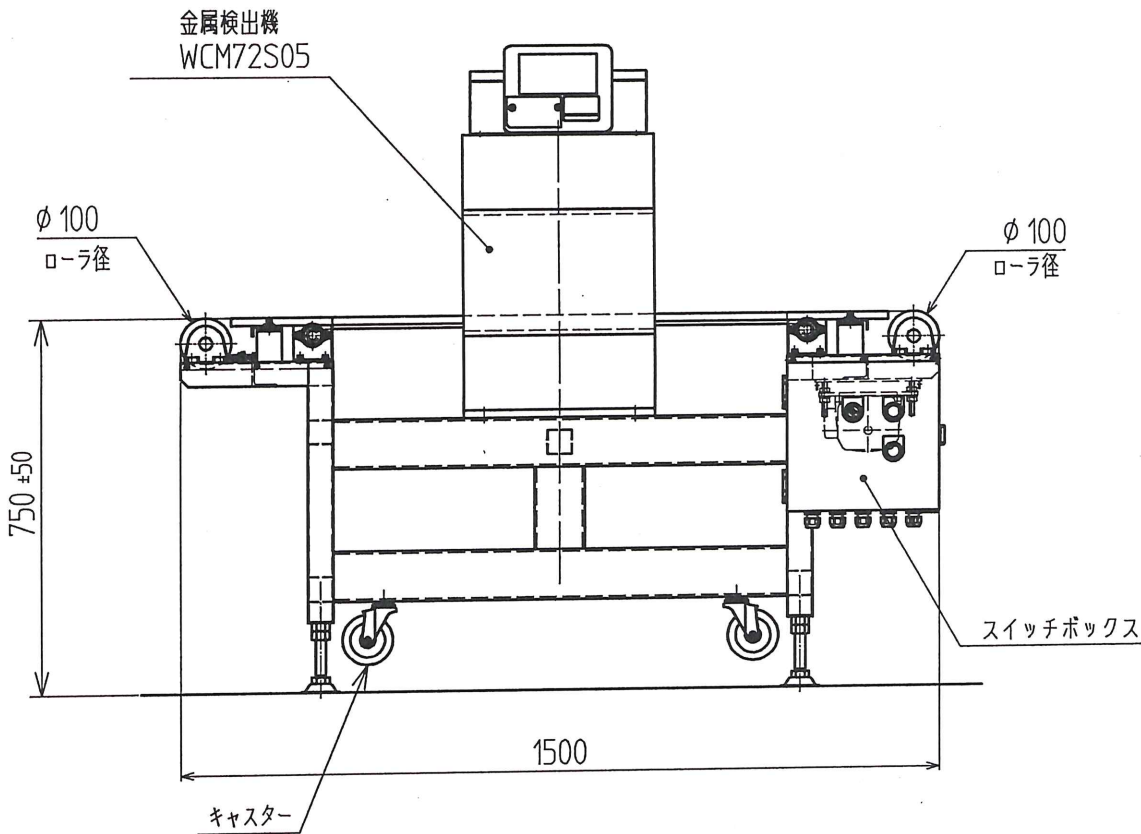
B



C

D

E



APPROVED	CHECKED	DESIGNED	DRAWN	OWNER / CODE NO.
		畑中		

TITLE
WCM72-S05
金属検出機 外觀図

NOTES/REVISION	SCALE 1/15	DATE 2014.06.24
----------------	------------	-----------------

DWG.NO.	Ref.NO.
1-EC2509-4A	

A&D Company,Limited

1-EC2509-4A